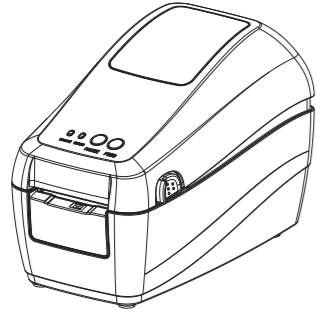


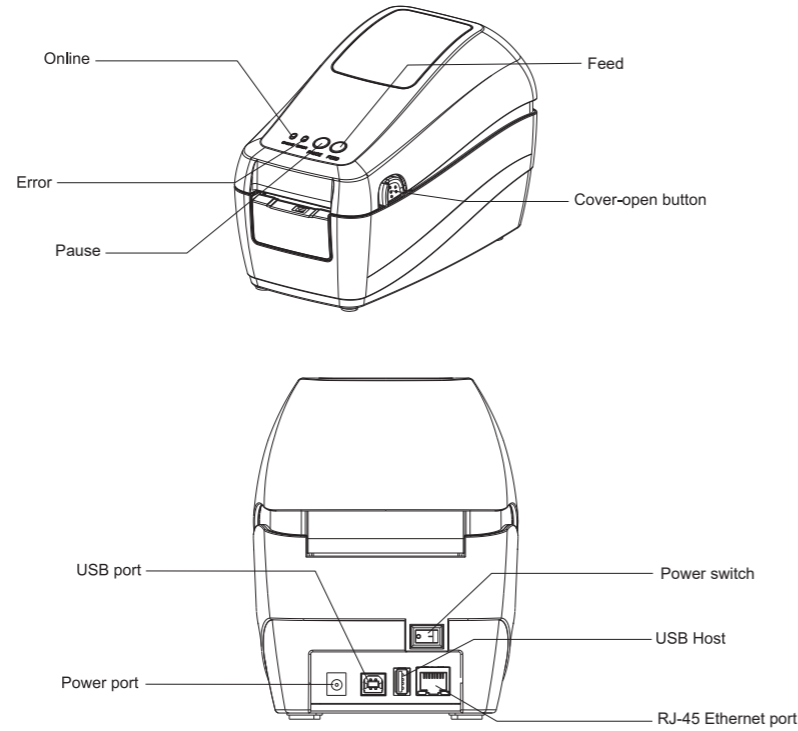


Installation Manual

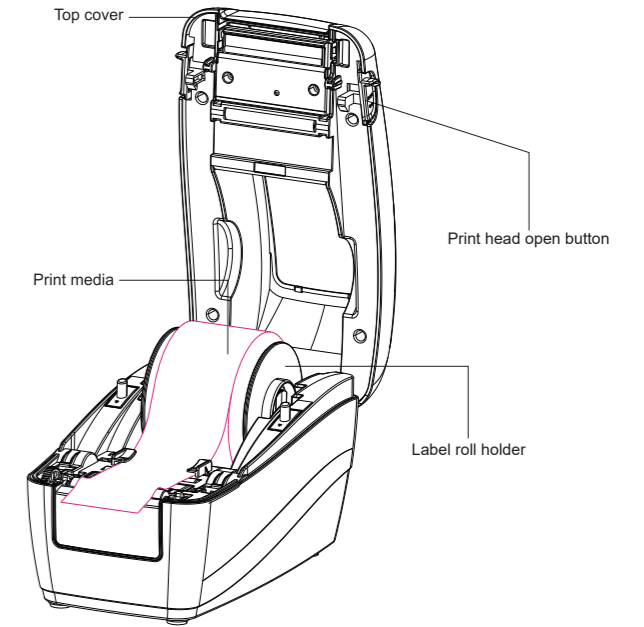
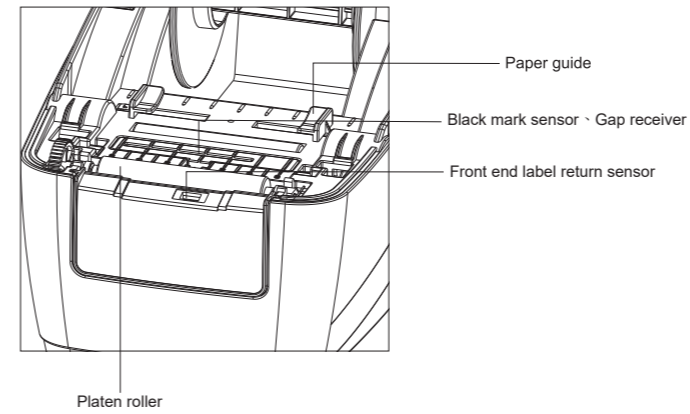
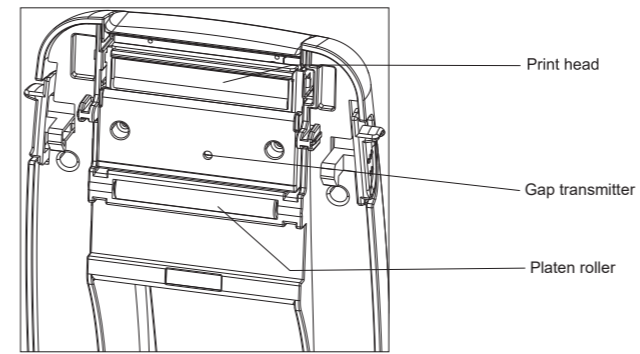
For Thermal Transfer Barcode Printer
Surpass Series



Please read this user guide before printer operation and keep this guide for reference.



Note: The interface of printer showed in picture may have some differences from the model your purchased. As for the actual interface, please refer to the product specifications



*If you need more information about the product, please refer to the User's Manual in CD.
*The printer specification, accessory, spare parts and program are subject to change without prior notice.

Print media loading

| | |
|--|--|
| | |
| | |

Ribbon and print media loading diagram

